

# VACUUM FILTERS

## Line vacuum filter (VL-filter)

### Features and Strengths

Simply pushing the tube into the LV-filter  
 (No other operation is required)  
 Excellent filtering – Minimum particle : 10micron  
 Easy to check and replace filter element



### Specifications

Model	Tube size (mm) (Outer diameter)	Removal efficiency (μ)	Filter area (mm <sup>2</sup> )	Temperature (°C)	Weight (g)
VTF-0706	6	10	7.5	0 ~ 60	25.0
VTF-1208	8	10	12.5	0 ~ 60	39.5

### Build an Ordering No.

1. Line vacuum filter	Description	Ordering No.
	Line vacuum filter, 10 Micron, 6mm tube outer diameter	<a href="#">VTF-0706</a>
	Line vacuum filter, 10 Micron, 8mm tube outer diameter	<a href="#">VTF-1208</a>

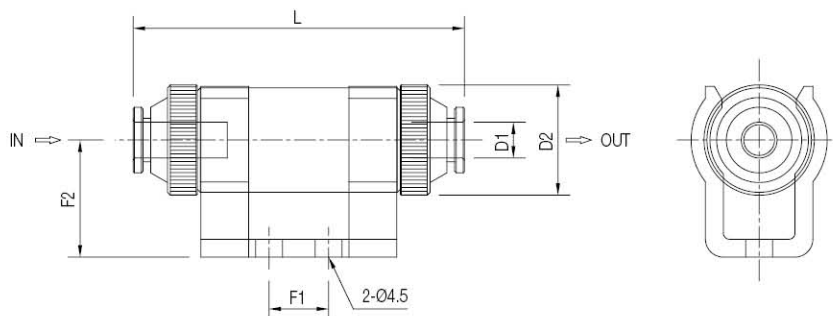
### Spare Parts – Filter Element

Model No.	Description	Weight (g)
VTFE0706	Filter Element for VTF-0706	0.74
VTFE1208	Filter Element for VTF-1208	1.2

### Dimensions

[ Unit : mm ]

Model	L	D1	D2	F1	F2
VTF-0706	55.5	Ø6	Ø18.5	10	20
VTF-1208	65.2	Ø8	Ø22.5	14	44



## IN-Line vacuum filter (VL-filter)

### Features and Strengths

Simply pushing the tube into the LV-filter  
(No other operation is required)  
Excellent filtering – Minimum particle : 10micron  
Easy to check and replace filter element



### Specifications

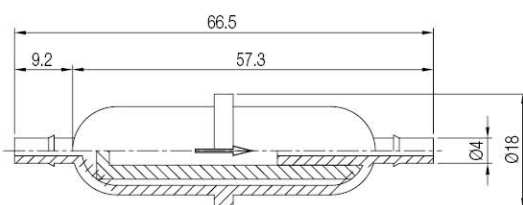
Model	Port size (Inner diameter)	Removal efficiency ( $\mu$ )	Internal volume (cm <sup>3</sup> )	Material	Temperature (°C)	Weight (g)
VTF-06-IN	Ø4	20	4	PP, PE	0 ~ 80	4
VTF-38-IN	G3/8"	20	20	PP, PE	0 ~ 80	14

### Build an Ordering No.

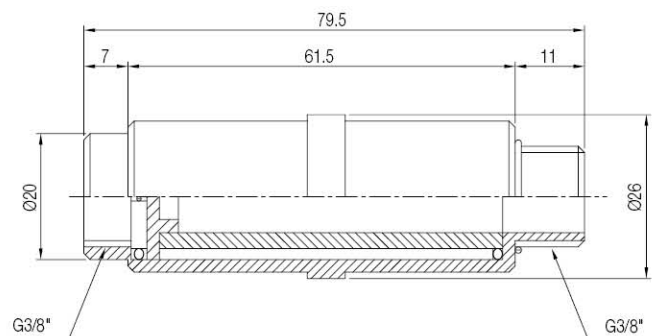
1. IN-Line vacuum filter	Description	Ordering No.
	IN-Line vacuum filter, 20 Micron, 4mm tube inner diameter	<a href="#">VTF-06-IN</a>
	IN-Line vacuum filter, 20 Micron, G3/8" tube inner diameter	<a href="#">VTF-38-IN</a>

### Dimensions

[ Unit : mm ]



[VTF-06-IN]



[VTF-38-IN]